

STANDARD DN 110

Air-vent

Catalogue no.: **K22**

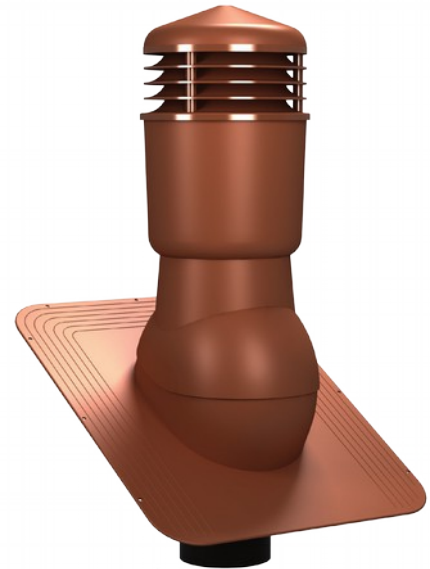
Wirovent® ventilation system

Complete roof-vent with roof pass-through, designed to be installed under roof sheet. Insulated type, which prevents from condensation of water-vapour in the air-duct during winter.

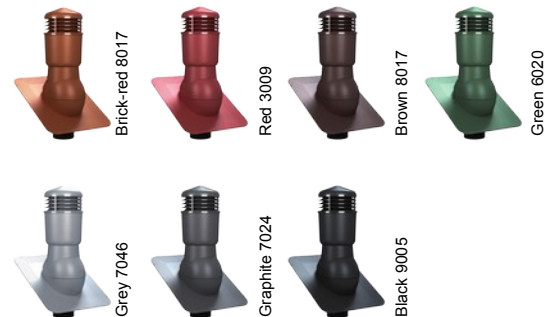
Technical data:

- sheet: bitumen sheet
- type: insulated
- adjustable angle: 5° - 45°
- dimensions: DN110/H500mm
- package: 1 pcs./set
- Box size 46 x 20 x 52 cm
- Quantity on euro-pallet (1,8 m): 29 pcs.
- Netto weight: 1,75 kg
- Brutto weight: 2,30 kg
- built-in level WASSERWAAGE
- material: PP – polipropylene dyed in mass
UV stablized

Details: www.wirplastexpo.com

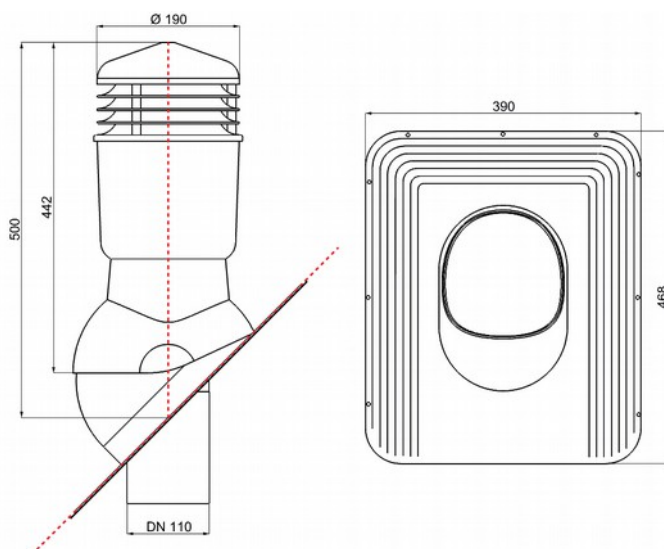


Available colors:



Possibility to paint the product in every RAL colour (realization time - 10 days).

Technical drawing:



Set includes:

- roof-vent
- pass-through
- 4 pcs. of farmer screws in roof-vent colour