

STANDARD PS

Solar pass-through

Catalogue no.: PS21

Wirovent® ventilation system

Solar pass-through is a water-tight solution for passing of solar instalations through roof slope. The product was designed for double and single wires.

Technical data:

- sheet: bitumen sheet
- type: solar pass-through
- dimension: Ø11-47
- package: 1pcs./set
- Box size 48 x 42 x 9,5 cm
- Quantity on euro-pallet (1,8 m): 72 pcs.
- Netto weight: 0,80 kg
- Brutto weight: 1,15 kg
- material: PP – polipropylene dyed in mass
UV stablized

Details: www.wirplastexpo.com

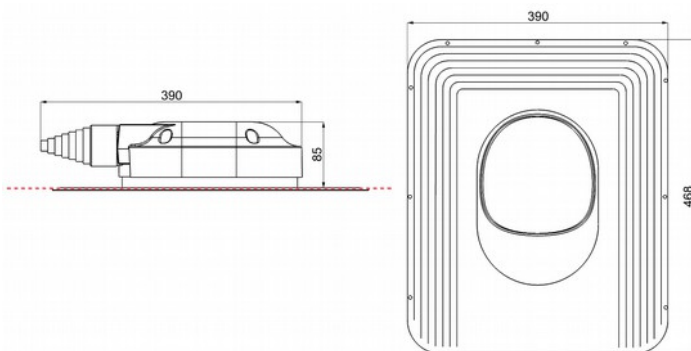


Available colors:



Possibility to paint the product in every RAL colour (realization time - 10 days).

Technical drawing:



Set includes:

- solar pass-through
- rubber cap